

# ACCESSORIES



10 AMPS 1 WAY



10 AMPS 1 WAY WITH INDICATOR



10 AMPS 2 WAY



10 AMPS BELL PUSH WITH IND. -2 M



32 AMPS DP WITH INDICATOR



STEP TYPE FAN REGULATOR 100 W



FAN REGULATOR 100 W 360 ROTATION



DIMMER - 200 W



DIMMER - 400 W



6 AMP ELEVATED SOCKET



6 / 16 AMPS COMB. SOCKET



3A USB CHARGER SOCKET - 2 PORT



6 AMPS 2 PIN SOCKET

## SOCKETS



Phosphor Bronze contacts



Sockets are Tested for more than 10k cycles



Longer Service life, Lower Power loss



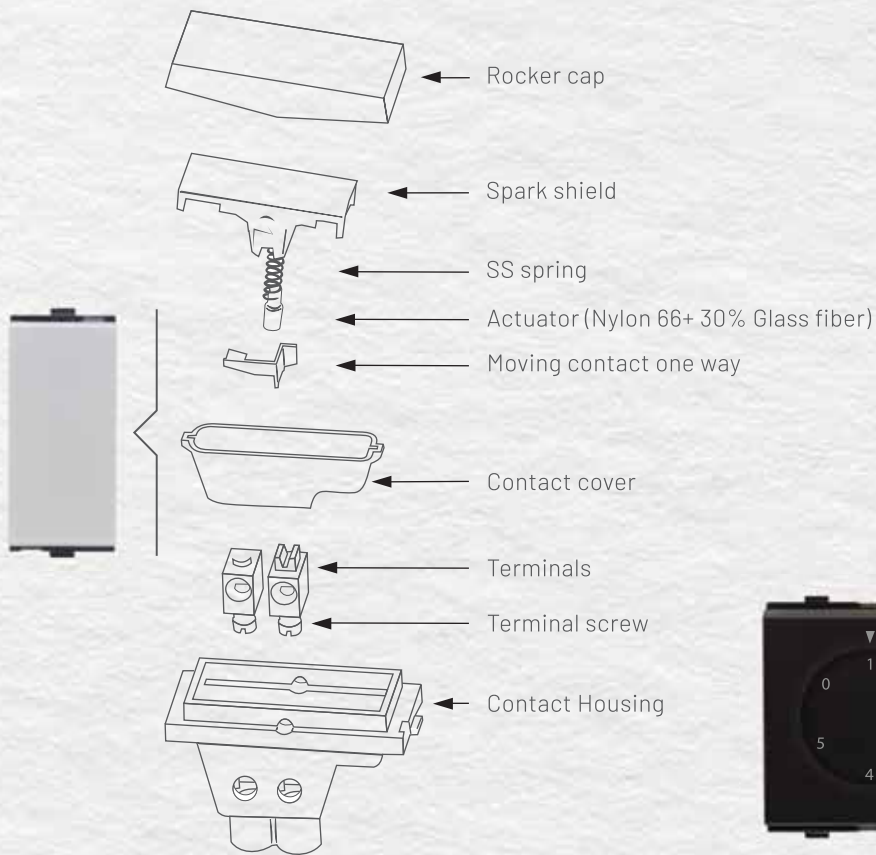
Consistent contact pressure

## REGULATORS

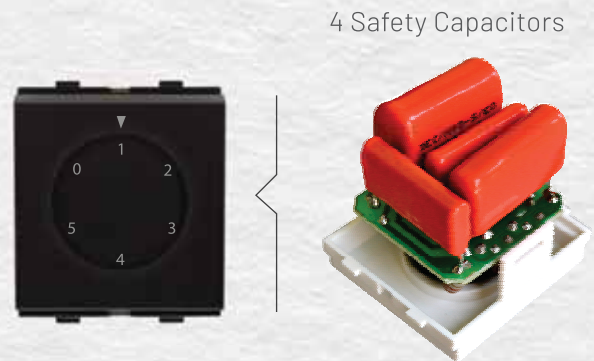


4 Nos of Safety Capacitors. - Wide range to offer

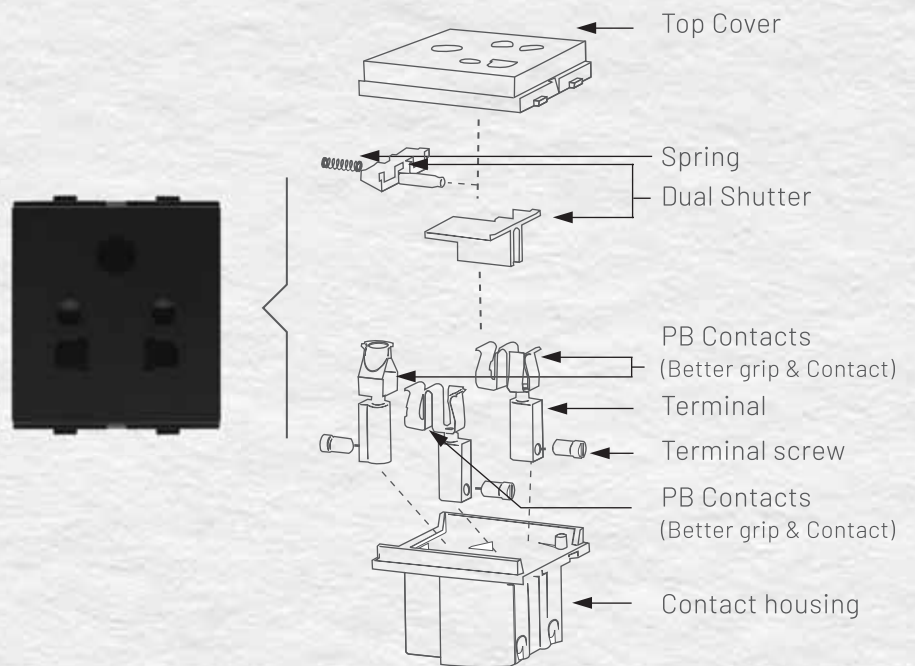
### OPEN VIEW OF ONE WAY SWITCH



### BACK OF REGULATOR



### OPEN VIEW OF SOCKET



# MAVEN ACCESSORIES



10AX TWO  
WAY SWITCH



10AX ONE WAY SWITCH  
WITH INDICATOR



10A BELL PUSH



10A BELL PUSH WITH  
INDICATOR



10A BELL PUSH 2M



STEP FAN REGULATOR  
1M (4 SPEED)



STEP FAN REGULATOR  
2M (5 SPEED)



LAMP DIMMER 500VA



LAMP DIMMER 1000VA



3A USB  
CHARGER SOCKET



1 MODULE



2 MODULE

MINI MCB - IS:60898



Full Rotatory 360 degree break proof operating knob.



Energy saving 100% hum free fan regulators.



Optimum speed control option (100W & 50W)

